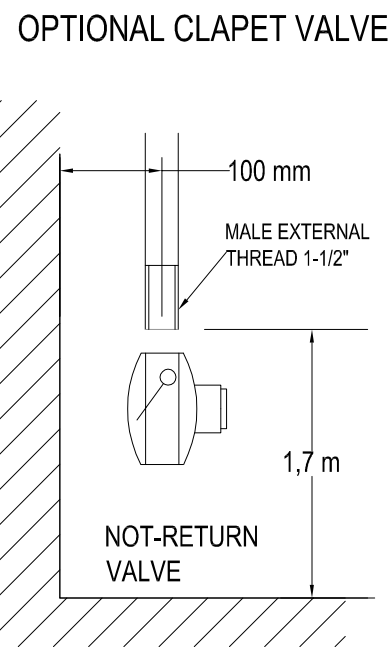
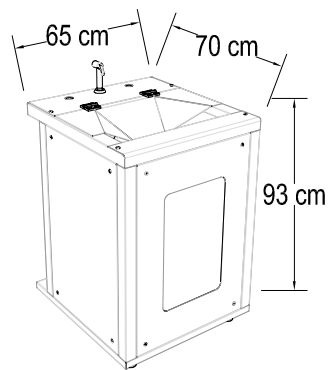


**SAMPLE OF WASTE TREATMENT SYSTEM**

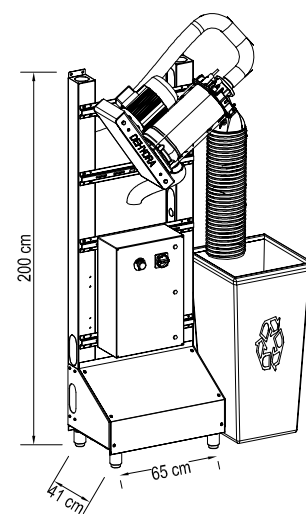
**INSTALLATION MINIMUM PREREQUISITES**



**FREE STANDING HOPPER**

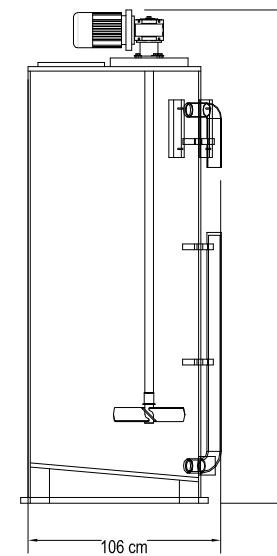


**DEHYDRATION STATION**

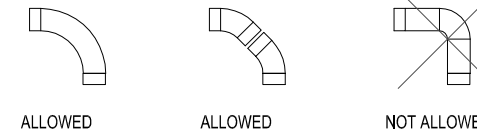


the Dehydra unit has to be fastened to the wall by threaded bars

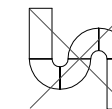
**TANK**



ELBOW  
( AVOID 90° ELBOW - USE 2 45° ELBOW or BIG RADIUS FITTINGS)



NO TRAPS, GOOSE NECKS AND SIMILAR



**PIPES**

Ø 50 mm, material PE PN4  
electrofusion welded couplings  
min slope: 1 % steady  
possible supplier: [www.wavin.com](http://www.wavin.com)  
level greater than PN4 and steel pipes are not needed

**DEHYDRATING ROOM**

on one wall of the dehydrating room it has to be installed a junction box for 24V cables from hopper rooms  
electric panel dimensions: 21 x 60 x 60h cm

