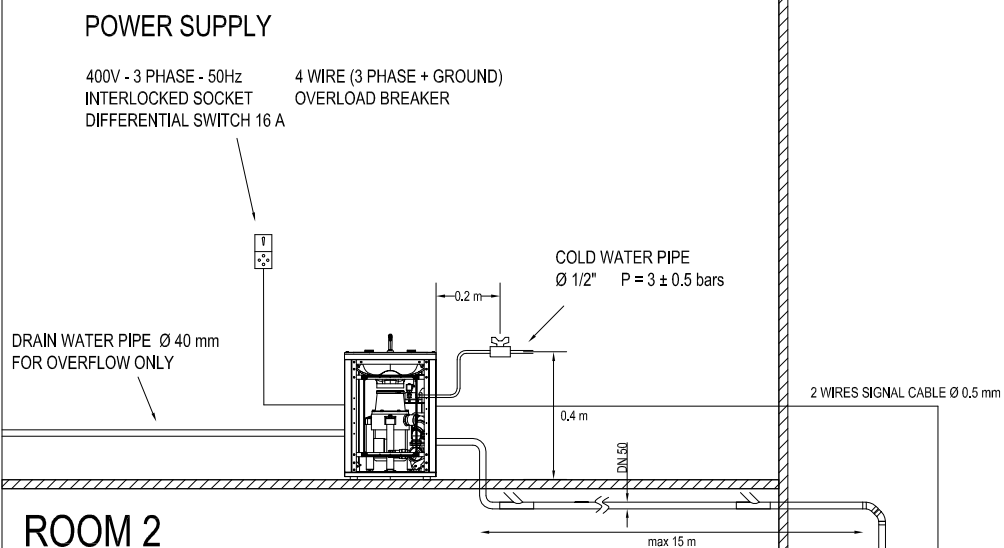
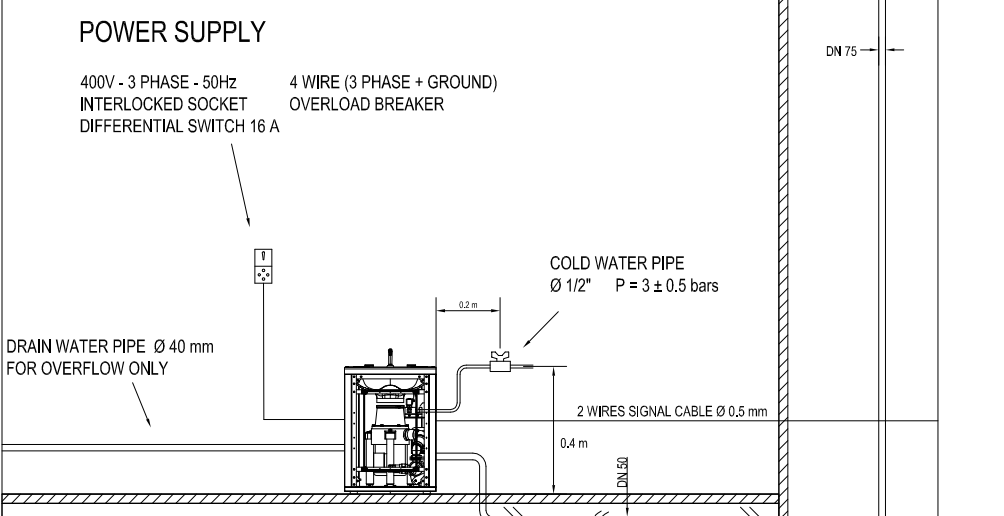


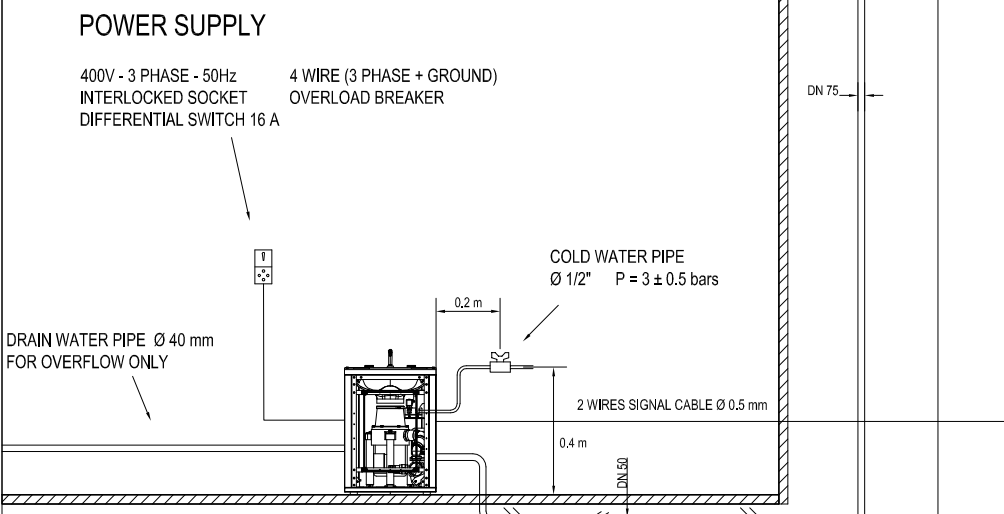
ROOM 1



ROOM 2

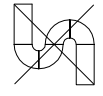


ROOM 3

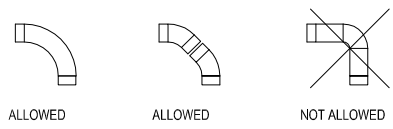


ecofast
 SAMPLE OF MULTI-FLOOR
 WASTE TREATMENT
 SYSTEM
 INSTALLATION
 MINIMUM PREREQUISITES

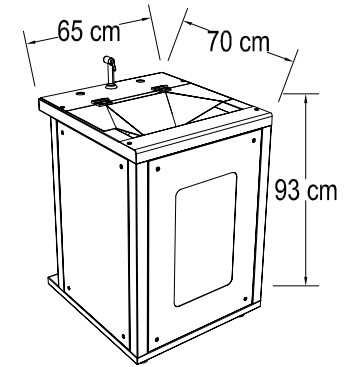
FORBIDDEN TRAPS, GOOSE NECK OR SIMILAR ON PIPES NET



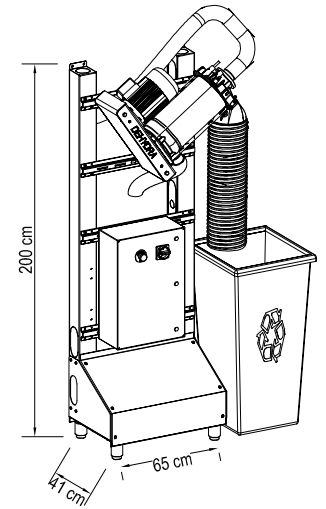
ELBOW
 (AVOID 90° ELBOW - USE 2 45° ELBOW or LARGE RADIUS FITTINGS)



FREE STANDING HOPPER

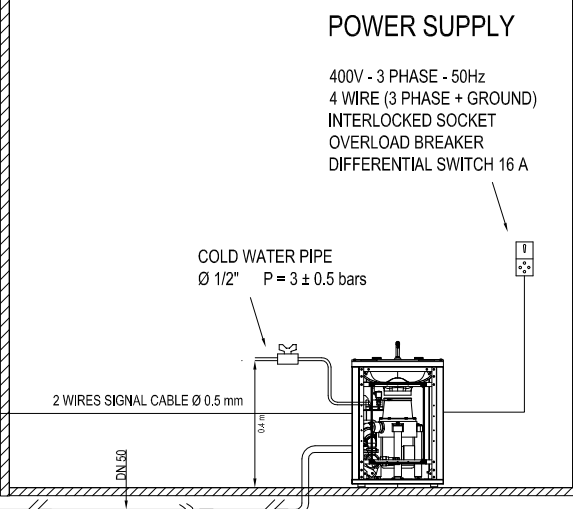


DEHYDRATION STATION

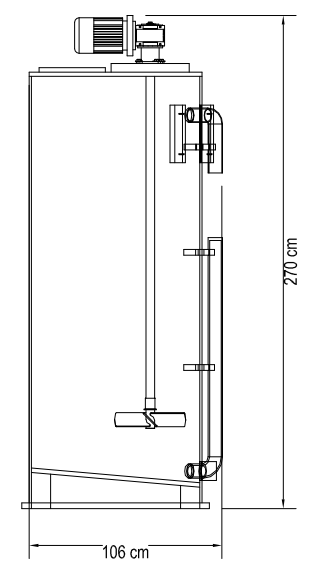


the Dehydra unit has to be fastened to the wall by threaded bars

ROOM 4



TANK



GENERAL DATA

PIPES
 Ø 50 mm, material PE PN4
 electrofusion welded couplings
 min slope: 1 % steady
 possible supplier: www.wavin.com
 level greater than PN4 and steel pipes are not needed

DEHYDRATING ROOM

on one wall of the dehydrating room it has to be installed a junction box for 24V cables from hopper rooms
 electric panel dimensions: 21 x 60 x 60h cm

DEHYDRATING ROOM

